

Sintering 2022 Sponsorship Application Guidelines

1. Application period : April 1, 2020-December 31, 2021

2. How sponsorship income will be used

Income from sponsorships will be used for costs in the preparation and operation of Sintering2022.

3. Sponsorship types and benefits

Sponsorship is divided into 3 categories - Gold, Silver, and Bronze, in accordance with the amount paid by sponsors.

Sponsorship Categories	
<p>■Gold (500,000 yen)</p> <ul style="list-style-type: none"> • Logo (large) displayed near main registration area • Logo (large) and link on the website • Full page color ad in the program book • Registration fee and banquet fee is exempted for a representative 	<p>■Silver (300,000 yen)</p> <ul style="list-style-type: none"> • Logo (medium-size) displayed near main registration area • Logo (medium-size) and link on the website • Half-page color ad in the program book • Registration fee and banquet fee is exempted for a representative
<p>■Bronze (150,000 yen)</p> <ul style="list-style-type: none"> • Logo (small-size) displayed near main registration area • Logo (small-size) and link on the website • Half-page black and white ad in the program book 	

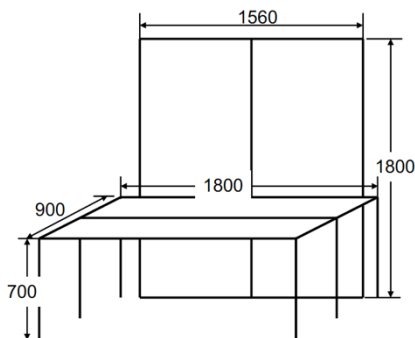
In addition to the above, an exhibition booth will be provided by paying the actual equipment cost of **25,000 yen**.

Ex: If you apply for bronze sponsorship and you wish to have a exhibition booth,
150,000 yen + 25000 yen = 175,000yen

(We do not accept application for exhibition only)

• Number of booth: 16 booth on a first-come, first-served basis

Size & Equipment of Exhibition Booth (unit:mm)



• Place: Nagaragawa Convention Center 4F

• Period: 14:00 March 28 to 14:00 on March 30

Booth equipment: See the figure

3. How to apply to be a sponsor

Please specify your desired category on the application form (MS Excel format), which can be downloaded from the following URL, and send it by email to the address shown below.

URL : <https://www.sintering2021.org/>

Email : info@sintering2021.org

4. Payment Details

Invoices will be sent to applicants who request it on their application forms.

Applicants who do not require an invoice can pay by direct deposit into the bank account listed below.

**Account holder's name: Nippon Seramikkusu Kyokai (The Ceramic Society of Japan)
Enziniaringu Seramikkusu Bukai**

Bank Account: 240-0073211, SWIFT code: BOTKJPJT

MUFG Bank, LTD., Senri-Chuo BRANCH, Toyonaka JAPAN